

P.H.W.U. Chelchowski Wiesław

Tel/fax 86 224 53 33

tel. 86 224 53 34

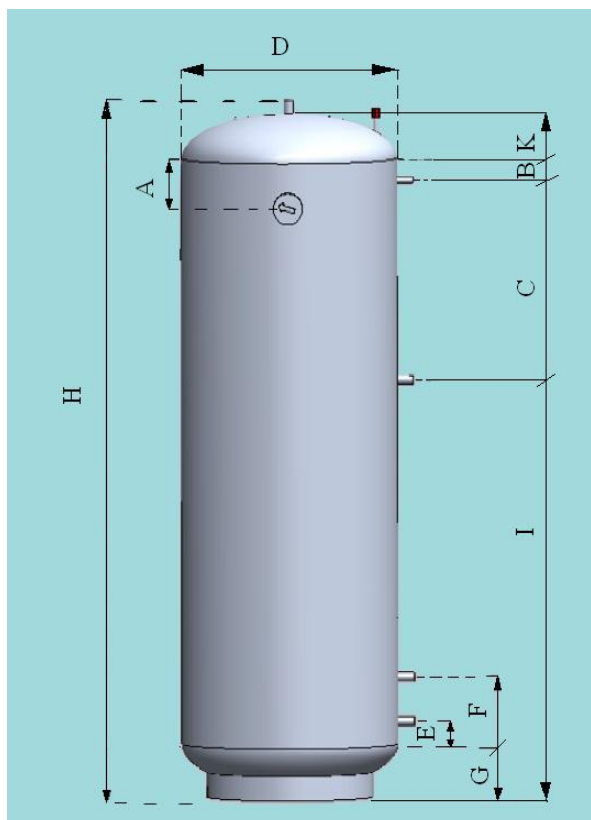
tel. kom. 530 173 655

e – mail : biuro@chelchowski.pl

www.chelchowski.pl



ZASOBNIK ZE STALI NIERDZEWNEJ



DANE TECHNICZNE

- zbiornik stali nierdzewnej
- izolacja z pianki polietylenowej + skay
- kapilara **GW** 1/2"
- wyposażony w termometr **GW** 1/2"
- zawór bezpieczeństwa **GZ** 3/4 "
- maksymalne ciśnienie 6BAR
- maksymalna temperatura 95 °C

| Rodzaj przyłącza | Pojemność zbiornika | | | |
|--------------------------|---------------------|---------|----------|------------|
| | 60-250 | 300-700 | 800-1600 | 1700 - wyż |
| spust wody GZ | 1/2 " | 3/4 " | 1 " | 1 1/4 " |
| zasilanie wody GZ | 1/2 " | 3/4 " | 1 " | 1 1/4 " |
| wyjście wody GZ | 1 1/4 " | 1 1/4 " | 1 1/4 " | 1 1/4 " |
| Cyrkulacja GZ | 1/2 " | 3/4 " | 1 " | 1 1/4 " |

| Objętość zbiornika | WYMIARY ZBIORNIKA I PRZYŁĄCZY | | | | | | | | | | | Ciśnienie | Grubość dennicy | Grubość płaszczca | Grubość ocieplenia |
|--------------------|-------------------------------|----|-----|------|----|-----|-----|------|------|------|-----|-----------|-----------------|-------------------|--------------------|
| | A | B | C | D | E | F | G | h | Hc | I | K | | | | |
| 80 | 100 | 50 | 325 | 380 | 30 | 130 | 135 | 650 | 905 | 410 | 60 | 6BAR | 2 | 1,5 | 20 |
| 100 | 100 | 50 | 325 | 420 | 30 | 130 | 135 | 650 | 915 | 410 | 70 | 6BAR | 2 | 1,5 | 20 |
| 130 | 100 | 50 | 450 | 380 | 30 | 130 | 135 | 1000 | 1255 | 635 | 60 | 6BAR | 2 | 1,5 | 20 |
| 150 | 100 | 50 | 450 | 420 | 30 | 130 | 135 | 1000 | 1265 | 635 | 70 | 6BAR | 2 | 1,5 | 20 |
| 200 | 100 | 50 | 375 | 520 | 30 | 130 | 160 | 850 | 1175 | 585 | 85 | 6BAR | 2 | 2 | 40 |
| 250 | 100 | 50 | 490 | 520 | 30 | 130 | 160 | 1000 | 1325 | 620 | 85 | 6BAR | 2 | 2 | 40 |
| 300 | 100 | 50 | 610 | 520 | 30 | 130 | 160 | 1320 | 1645 | 820 | 85 | 6BAR | 2 | 2 | 40 |
| 350 | 100 | 50 | 700 | 520 | 30 | 130 | 160 | 1500 | 1825 | 910 | 85 | 6BAR | 2 | 2 | 40 |
| 400 | 100 | 50 | 550 | 620 | 30 | 130 | 170 | 1200 | 1585 | 770 | 115 | 6BAR | 3 | 2 | 60 |
| 450 | 100 | 50 | 635 | 620 | 30 | 130 | 170 | 1400 | 1755 | 855 | 115 | 6BAR | 3 | 2 | 60 |
| 500 | 100 | 50 | 700 | 620 | 30 | 130 | 170 | 1500 | 1885 | 920 | 115 | 6BAR | 3 | 2 | 60 |
| 600 | 100 | 50 | 610 | 720 | 30 | 130 | 180 | 1300 | 1705 | 820 | 125 | 6BAR | 3 | 2 | 60 |
| 700 | 100 | 50 | 730 | 720 | 30 | 130 | 180 | 1500 | 1905 | 900 | 125 | 6BAR | 3 | 2 | 60 |
| 800 | 100 | 50 | 580 | 850 | 30 | 130 | 165 | 1270 | 1650 | 805 | 115 | 6BAR | 3 | 2 | 60 |
| 900 | 100 | 50 | 700 | 850 | 30 | 130 | 165 | 1450 | 1831 | 865 | 116 | 6BAR | 3 | 2 | 60 |
| 1000 | 100 | 50 | 700 | 900 | 30 | 130 | 190 | 1450 | 1865 | 890 | 125 | 6BAR | 3 | 2 | 60 |
| 1100 | 100 | 50 | 850 | 850 | 30 | 130 | 165 | 1800 | 2180 | 1065 | 115 | 6BAR | 3 | 2 | 60 |
| 1200 | 100 | 50 | 640 | 1000 | 30 | 130 | 190 | 1380 | 1805 | 880 | 135 | 6BAR | 3 | 3 | 60 |
| 1300 | 100 | 50 | 700 | 1000 | 30 | 130 | 190 | 1500 | 1945 | 940 | 135 | 6BAR | 3 | 3 | 80 |
| 1400 | 100 | 50 | 800 | 1000 | 30 | 130 | 190 | 1600 | 2045 | 940 | 135 | 6BAR | 3 | 3 | 80 |
| 1400 | 100 | 50 | 500 | 1200 | 30 | 130 | 190 | 1000 | 1495 | 640 | 185 | 6BAR | 3 | 3 | 80 |

| | | | | | | | | | | | | | | | |
|------|-----|----|------|------|----|-----|-----|------|------|------|-----|------|---|---|----|
| 1500 | 100 | 50 | 800 | 1000 | 30 | 130 | 190 | 1760 | 2205 | 1100 | 135 | 6BAR | 3 | 3 | 80 |
| 1500 | 100 | 50 | 550 | 1200 | 30 | 130 | 190 | 1100 | 1595 | 690 | 185 | 6BAR | 3 | 3 | 80 |
| 1600 | 100 | 50 | 600 | 1200 | 30 | 130 | 190 | 1200 | 1695 | 740 | 185 | 6BAR | 3 | 3 | 80 |
| 1700 | 100 | 50 | 600 | 1200 | 30 | 130 | 255 | 1270 | 1830 | 875 | 185 | 6BAR | 3 | 3 | 80 |
| 1800 | 100 | 50 | 630 | 1200 | 30 | 130 | 255 | 1360 | 1920 | 935 | 185 | 6BAR | 3 | 3 | 80 |
| 2000 | 100 | 50 | 720 | 1200 | 30 | 130 | 255 | 1500 | 2060 | 985 | 185 | 6BAR | 3 | 3 | 80 |
| 2200 | 100 | 50 | 810 | 1200 | 30 | 130 | 255 | 1720 | 2280 | 1115 | 185 | 6BAR | 3 | 3 | 80 |
| 2400 | 100 | 50 | 890 | 1200 | 30 | 130 | 255 | 1890 | 2450 | 1205 | 185 | 6BAR | 3 | 3 | 80 |
| 2500 | 100 | 50 | 600 | 1460 | 30 | 130 | 280 | 1200 | 1810 | 830 | 210 | 6BAR | 4 | 3 | 80 |
| 3000 | 100 | 50 | 750 | 1460 | 30 | 130 | 280 | 1500 | 2110 | 980 | 210 | 6BAR | 4 | 3 | 80 |
| 4000 | 100 | 50 | 1000 | 1460 | 30 | 130 | 280 | 2000 | 2610 | 1230 | 210 | 6BAR | 4 | 3 | 80 |